

# FASCIA SYSTEM

## ROLLER 2.0



System specifications

**coulisse**

since 1992

FASCIA SYSTEM



Other available options:

Bracket



Semi-open cassette



Round cassette



Cassette square



Ultimate



Day & Night



Meet the next generation in roller blind technology. Roller blinds are one of the most popular window covering systems in the world. However, the needs and requirements for the product vary per country. Based on an inventory of those needs we present you our Absolute Roller blind system with maximum modularity and countless functional possibilities and styles. The Coulisse system is available for all window sizes up to a large (L) variant for systems up to 4 x 4 meter.

## Benefits

- Modular concept: upgrade system from basic to full-option with minimum number of components
- Wide variety finishes and colors
- Easy assembly, installation and use
- Equal cut-off sizes of all system-types
- Options: side guidance, double roller, intermediate bracket (connected/double control)
- Extremely small light gaps

All visible components are available in ABS as well as in metal. ABS components are available in six basic colors, metal components in six different finishes. For an optimal user experience, the chain mechanism in the metal system is the same as that of the ABS system, which is designed for smooth operation.

Maximum roller blind sizes

- S: max. size 2 x 2 m
- M: max. size 3 x 3 m
- L: max. size 4 x 4 m

## Bracket and end-cap colors

ABS/ALUMINIUM COMPONENTS



White (W)



Off-White (LB)



Grey (GR) / Anodized (A)



Anthracite (AN)



Black (BK)



Bronze (DBR)

## Type Fascia

	Bracket	Fascia
Thickness	1,5 mm	1,5 mm
Material	Steel	EN-AW-6060-T5
Color	6 ABS colors	6 aluminium colors

- Control:**
- Chain (1:1, 1:1,5 and 1:3 gearing)
  - Spring
  - Motorized (mechanical, radio frequency)

Light gap	Control side	Idle end side
Manual + motor	S = 18 mm	S + M + L = 12 mm
	M + L = 20 mm	
Spring	S + M = 15 mm	S + M = 15 mm

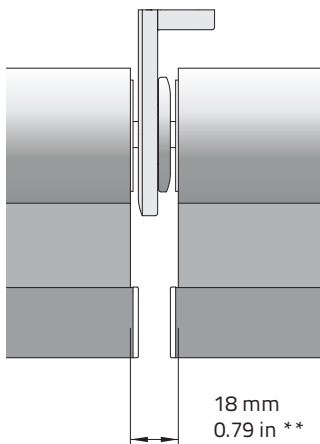
### Tube

**Material:** EN-AW-6060 T6 (Aluminum, extruded)

**Finish:** Raw Aluminum

### Options for each size

Operation	System type		
	M	L	L
Roller blind system S = 2 m x 2 m M = 3 m x 3 m L = 4 m x 4 m			
	<b>70 Fascia</b>	<b>70 Fascia</b>	<b>70 Fascia Day &amp; Night</b>
Operation	Chain <sup>2,3</sup> Motorized <sup>2,3</sup> Spring Single pull	Chain Motorized	Chain Motorized
Max. roll diameter	75 mm - 2.95 in	120 mm - 4.72 in	70 mm - 2.76 in
Tube size	38 mm - 1 1/2 in 42 mm - 1.7 in 50 mm - 2 in	38 mm - 1 1/2 in 42 mm - 1.7 in 50 mm - 2 in 65 mm - 2 1/2 in 80 mm - 3 1/8 in	38 mm - 1 1/2 in 42 mm - 1.7 in 50 mm - 2 in 65 mm - 2 1/2 in 80 mm - 3 1/8 in



<sup>2</sup>Intermediate single control

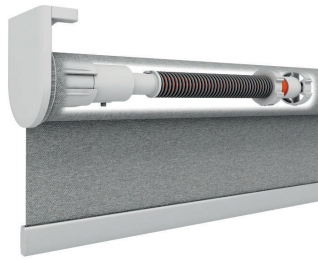
<sup>3</sup>Intermediate double control

## Control options

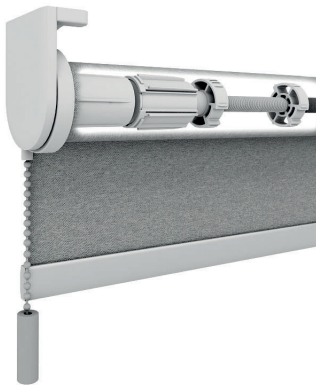
Chain\*



Spring



Single pull



Pull motor



Motor (mechanical or RF)



\*Optional child safety devices for chain



Safety tensioner

CSD04



Safety clip plastic

CSD06



Safety clip alloy

CSD07



Ball chain break away

CSD11

## Bottom bars



Round

RBRR-x



Square small

RCA-04-x



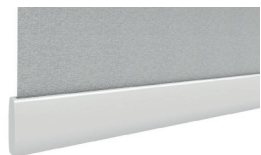
Square

RC3032-x



Oval small

PTC25-x



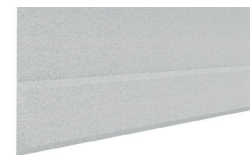
Oval

RCA-26-x



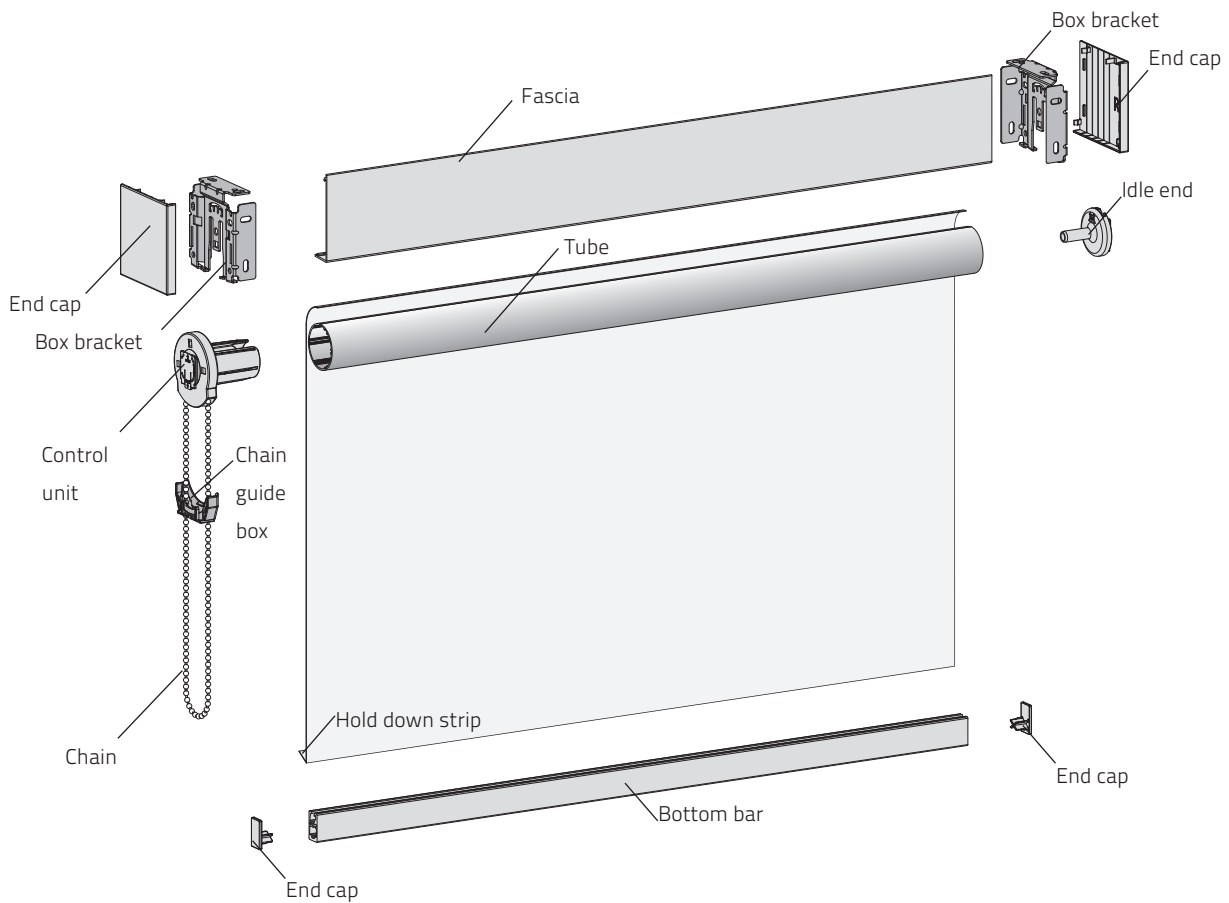
Covered

RBR-x-43



Pocket

PTB25-x



## ABOUT COULISSE

At Coulisse, we believe that window coverings are the perfect solution for creating healthy, comfortable and inspiring indoor spaces. They allow for perfect heat control and natural light management, and as a result, contribute to productivity, comfort and energy savings. With the unique decorative possibilities of the Coulisse Contract range, in addition, they allow for creating atmosphere, style and a sense of warmth and well-being.

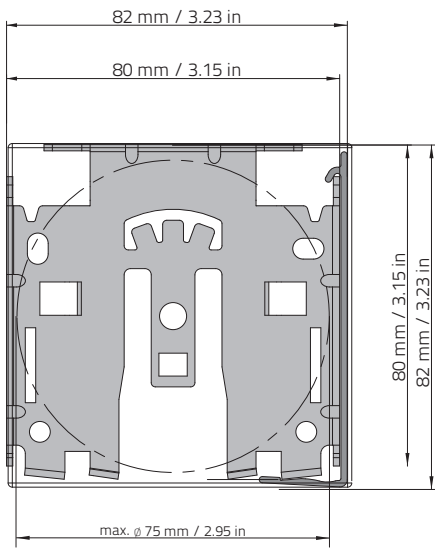
## TOTAL SOLUTION

Our window covering solutions are created through a seamless concept of stylish contract fabrics, aesthetic systems and an intelligent automation concept. They offer the perfect combination of beauty, functionality and convenience.

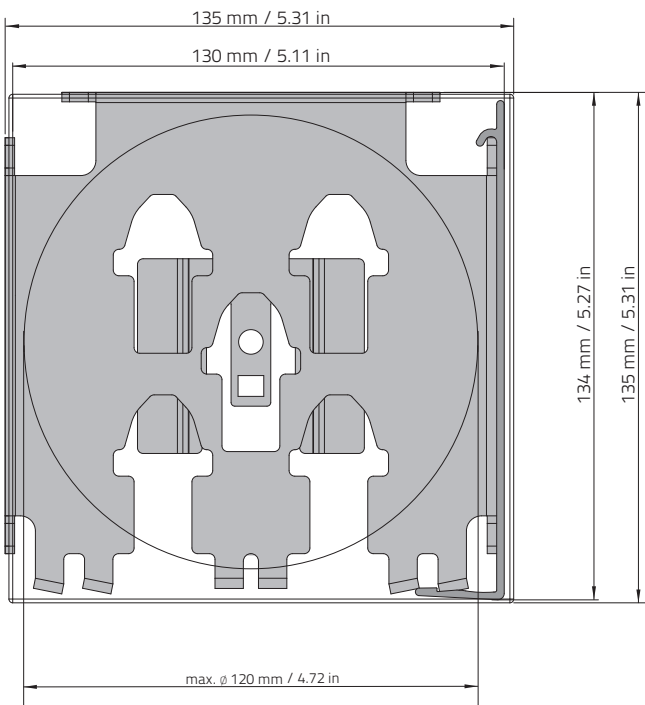
## CONTACT

If you have any questions about fabrics, systems or motion or you need advice, please call Coulisse Contract on +31 (0) 547 855 555 or e-mail your requirements to [contract@coulisse.com](mailto:contract@coulisse.com).

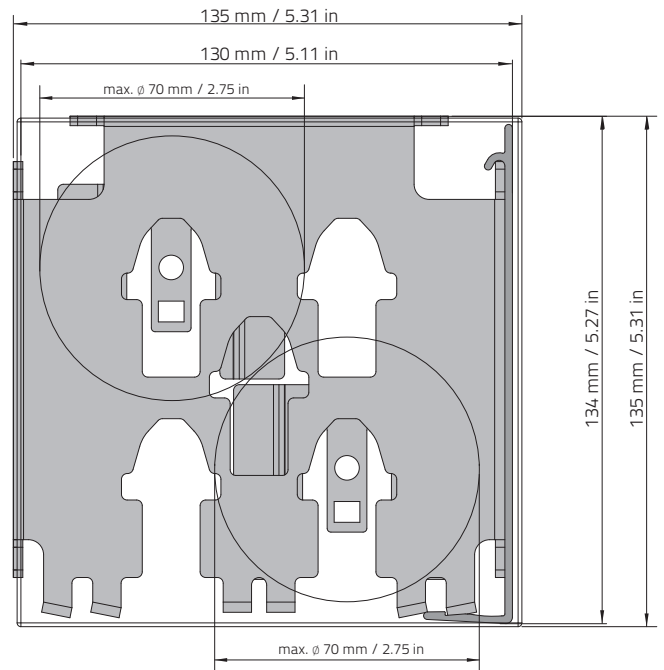
### Main installation dimensions

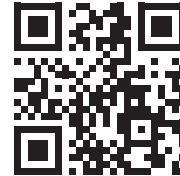
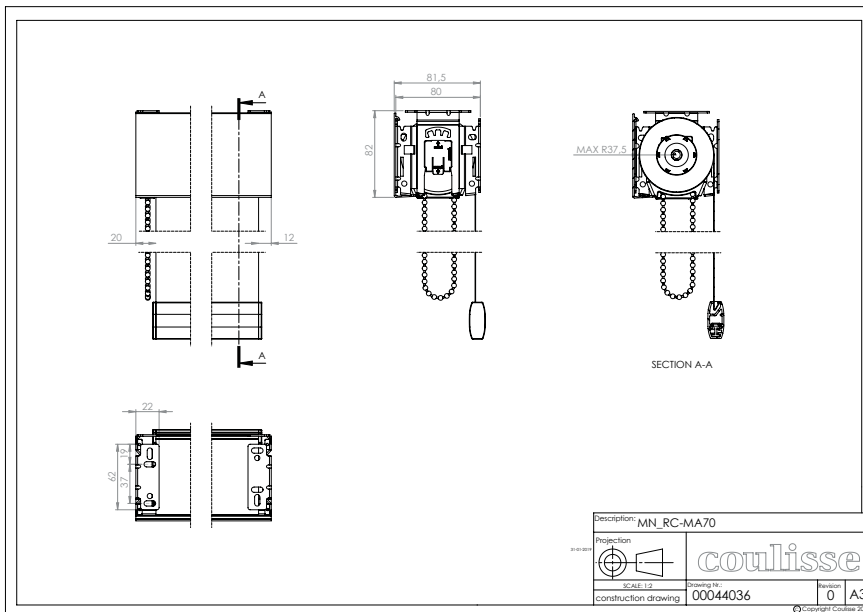


#### Fascia



#### Fascia Day / Night





CAD drawings with all dimensions for all Coulisse Roller 2.0 system options are available for download on [www.coulissecontract.com](http://www.coulissecontract.com). Or scan the QR code